

**DAB+ Micro System  
with Dock for iPod**



**GMS558DABIP**

**The Gold Technical Support Line:1902 215 259**  
**Personal Product Support**  
(Charges will apply at \$2.95 per minute)

**GRUNDIG**

## **Introduction**

Thank you for buying this Grundig product, which is designed to give you many years of trouble-free service.

You may already be familiar with using a similar unit, but please take time to read these instructions. They are designed to familiarise you with the unit's many features and to ensure you get the very best from your purchase.

## **Safety is important**

Your safety and the safety of others is important.

Please therefore, ensure you read the "Safety Instructions" before you operate this unit.

## **Warranty**

In the unlikely event that your product fails to work normally, please call the below free phone number to discuss the problem with one of our qualified service engineers.

### **Australia.**

**Grundig Warranty: 1800 509 394**

### **New Zealand**

**Grundig Warranty: 0800 450 259**

# General Safety

This micro system has been designed and manufactured to meet Australian safety standards, but like any electrical equipment care must be taken if you are to achieve the best results and safety is to be assured.

Please read these operating instructions before you attempt to use this device.

Ensure that all electrical connections (including the mains plug, extension leads and interconnections between pieces of equipment) are correct and in accordance with the manufacturer's instructions.

Switch off and remove the mains plug when connecting or disconnecting any devices.

Consult your retailer if you are ever in doubt about the installation, operation or safety of your equipment.

Do not continue to operate the equipment if you are in doubt about whether it is working normally, or if it is damaged in any way. Switch it off, disconnect the mains plug and consult your retailer.

Do not remove any fixed covers as this may expose you to dangerous voltages.

Do not leave the equipment switched on when unattended for long period of time.

Do not obstruct the ventilation vents on the equipment, e.g. with curtains or soft furnishings, as this may cause the unit to over heat.

Overheating will cause damage and shorten the life of the product.

Do not allow this unit to be exposed to rain , moisture or any type of liquid.

Do not install this unit in a confined space such as a book case or cabinet. Make sure there is plenty of ventilation room around the unit.

**WARNING:** To reduce the risk of fire or electric shock, do not expose this apparatus to rain or moisture. The unit shall not be exposed to dripping or splashing liquid and objects filled with liquids, such as vases, shall not be placed on or near the unit.

**WARNING:** Do not expose the batteries or unit to source of excessive heat ,heater, direct sunlight fires.



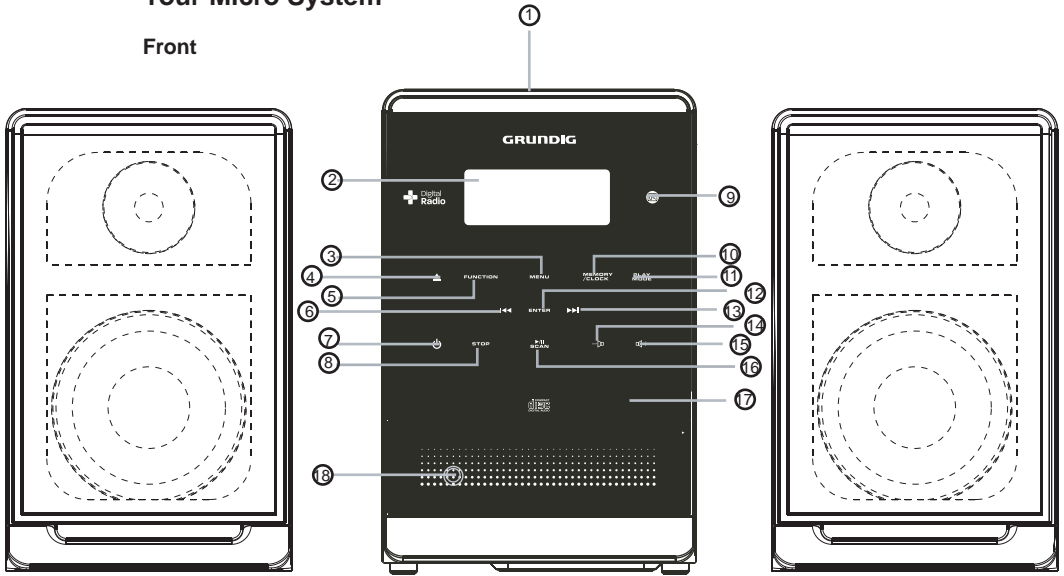
Correct Disposal of this product. This marking indicates that this product should not be disposed of with other household wastes . To prevent possible harm to the environment or human health from uncontrolled waste disposal, recycle it responsibly to promote the sustainable reuse of material resources.

# Contents

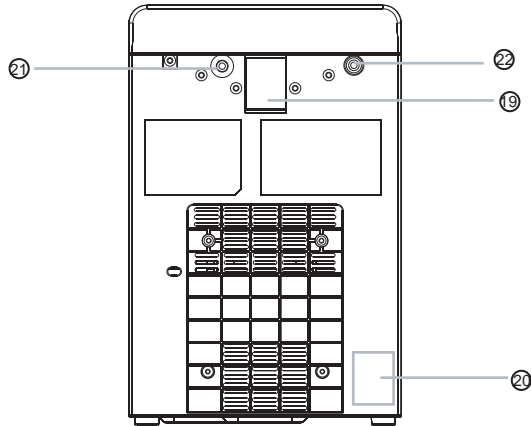
Your Micro System.....	5
Quick Start.....	7
Using the DAB+ Radio .....	8
Using the FM Radio.....	11
Using the CD.....	13
Using the Clock and Timer.....	16
Other functions.....	18
Troubleshooting.....	19
Specifications.....	19
Warranty.....	20

# Your Micro System

Front



Rear



# CONTROLS

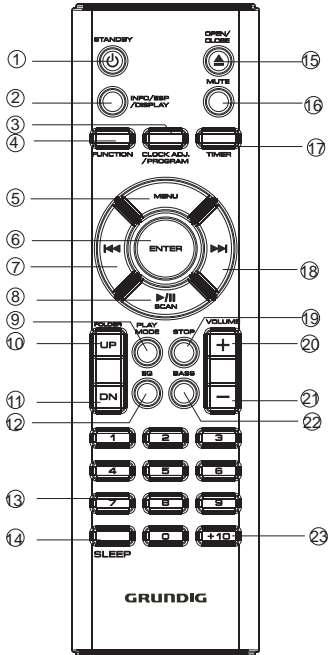
## Top and Front Panels

- 1.iPod Dock:The iPod Dock connects,plays charges your iPod through this.
- 2.LCD Display:The LCD display will show scrolling text information,song titles, menu option
- 3.MENU Button:The MENU Button allows you to enter the main menu.
- 4.EJECT Button:The EJECT Button will open and close the CD tray.
- 5.FUNCTION Button:Press the FUNCTION Button to select which mode you wish to play (DAB+,FM,CD,AUX IN,iPod)
- 6.Skip **⏮** Backward Button:Press the skip backward button to select the previous track or replay a section of the song you are listening to.
- 7.STANDBY/ON Button: Press the STANBY/ON Button to turn on or off the unit.
- 8.Stop Button:Press the STOP Button to stop play CD, MP3,iPod,Radio station you are listening to.
- 9.Remote Control Sensor:Press the Remote Control Sensor connects your remote to the unit.
- 10.MEMORY/CLOCK Button: Press the MEMORY/CLOCK Button to slare a track into the uint memory or to set the clock.
- 11.PLAY MODE Button:Press the PLAY MODE Button to select the repeat mode.
- 12.ENTER Button:Press the ENTER Button to confirm the menu selections and settings
- 13.SKIP **⏭** FORWARD Button:Press the SKIP FORWARD Button
- 14.VOLUME - Button:Press the VOLUME - Button to decrease the VOLUME.
- 15.VOLUME+ Button:Press the VOLUME - Button to increase the VOLUME.
- 16.PLAY/SCAN Button:Press the PLAY/SCAN Button to play CDs,iPod,MP3 track or to scan for designed radio station.
- 17.CD Tray:The CD tray is where you will enter your CD.
18. AUX IN Jack:The AUX IN Jack allows you to connect your MP3 player.

## Back Panel

- 19.Speaker Terminal:The speaker terminal connect your speaker to the unit.
- 20.Mains Power Socket:The Mains Power Socket is where the mains power lead to the unit.
- 21.Headphone Socket:The Headphone Socket allows you to connect Headphone to the unit.
- 22.Antenna:The antenna is use to find reception for DAB+/FM Radio modes.

## REMOTE CONTROL

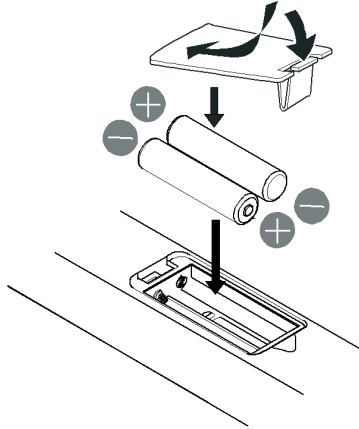


1. STANDBY Button: Press the STANDBY Button to turn on or off (standby) the unit.
2. INFO/ESP/DISPLAY Button: In tuner mode, press INFO to change display mode/Press ESP to anti-shock feature for CD playback/In MP3 mode, press DISPLAY repeatedly to show tracks of different genre.
3. CLOCK/PROGRAM Button: Press the CLOCK/PROGRAM Button to store a track into the unit memory or to set clock.
4. FUNCTION Button: Press the FUNCTION Button to select source of sound (DAB+/FM/CD/AUX IN/IPOD).
5. MENU Button: Press the MENU Button to access the setup menu.
6. ENTER Button: Press the ENTER Button to make selection in menus.
7. SKIP << BACKWARD Button: Press the SKIP BACKWARD Button to select the previous track or replay a section of the song you are listening to.
8. PLAY/SCAN Button: Press the PLAY/SCAN Button to play or pause the CD or iPod or MP3 play, to scan the DAB+/FM stations.
9. PLAY MODE Button: Press the PLAY MODE Button to select the repeat mode.
10. FOLDER UP Button: Press the FOLDER UP Button to folder up the MP3 files.
11. FOLDER DN Button: Press the FOLDER DN Button to folder down the MP3 files.
12. EQ Button: Press the EQ Button to select an equalizer mode
13. NUMBER Button: Press the NUMBER Button to select a track in CD mode or iPod stations.
14. SLEEP Button: Press the SLEEP Button to set amount of time before auto shut off.
15. OPEN/CLOSE Button : Press the OPEN/CLOSE Button to open or close the CD tray.
16. MUTE Button: Press the MUTE Button to cut or restore audio output.
17. TIMER Button: Press the TIMER Button to switch the system on or off at a specified time.
18. SKIP >> FORWARD Button: Press the SKIP FORWARD Button to skip forward to another track or section of the music being played
19. STOP Button: Press the STOP Button to stop play in CD mode only.
20. VOLUME+ Button: Press the VOLUME+ Button to increase the VOLUME.
21. VOLUME- Button: Press the VOLUME- Button to decrease the VOLUME.
22. BASS Button: press the BASS Button to turn on or off the bass boost sound.
23. FILE +10: Press the FILE +10 Button to select the next 10th track.

## Quick start

### Using the Remote Control

Insert two AAA batteries into the remote control while observing the correct (+) and (-) polarities as shown. (Batteries not included).



### Using Headphones

To listen to your Grundig DAB+ Micro System via the Headphone Jack, you need Headphones (not included) with a 3.5mm stereo plug with 8-32 ohm impedance.

Plug your Headphones into the Headphone Socket on the back of your Micro System. Be sure to have the volume low before putting on your Headphones, then increase to the desired level once on. When the Headphones are connected the speakers are automatically turn off.

## Using the DAB+ Radio

### Introduction

Your DAB+ Radio automatically scans for radio stations within your region. All radio stations that are found are stored.

In addition to digital audio, your DAB+ Radio can display information such as program name, program type, network provider, signal strength, current time and date, and scrolling text information.

### Turning on the DAB+ Radio

Extend the wire aerial on the rear of the DAB+ Radio.

Press the STANDBY Button to switch on your DAB+ MICRO System.

Welcome to  
DAB/FM Radio

### Scanning for DAB+ Radio Stations

To scan for DAB+ station available, press the PLAY/SCAN Button on the remote or unit. The DAB+ radio will automatically scan and store all available stations in the memory.

Scanning...  
■■■

When the scan is complete, the DAB+ stations will be displayed in alphanumeric order. The first station on the list will be selected.

2 CH  
Connecting...

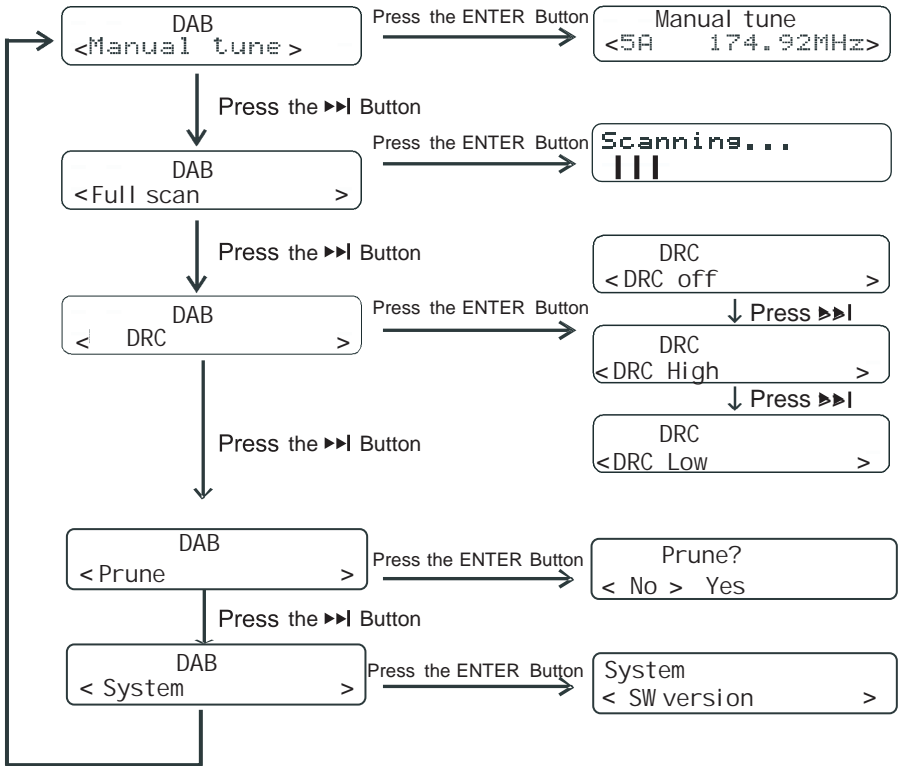
Press the **◀▶** Buttons to scroll through the available stations. Press the ENTER Button to select your desired station.

## Using the DAB+ Radio

### Manual Tuning

Press the MENU Button on the remote control and press the **◀▶** Buttons until the required station is displayed.

The MENU Options will be displayed as follows



**DRC (Dynamic Range Control) Value**

The default setting is set off and is the recommended setting for this unit. However if you are listening to your radio in a noisy area, you can set the DRC to high. It will make the softer tones easier to hear.

**SW Version**

Displays the software version of this DAB+ radio.

**Prune**

This MENU option allows to delete all the unavailable weak reception radio station.

## Displaying DAB+ information

To display DAB+ information, press the INFO Button on the remote control or on the unit to select the information desired. The display will show the information on the bottom line of the LCD display.

The following screens show typical examples:

Program Name	_____	ABC Radi o 4
Scrolling Text Information	—	he Bank of AUStr
Program Type	_____	ABC Radi o 4 Current Affairs
Multiplex Name	_____	ABC Radi o 4 BBC National DAB
Current Time and Date	—	ABC Radi o 4 08: 44 20- 10- 2009
Channel and Frequency	—	ABC Radi o 4 12B 225. 64MHz
Bit Rate and Mode	_____	ABC Radi o 4 128 kbps Stereo
Signal Strength	_____	ABC Radi o 4 ■■■■□

### Scrolling Text information:

The Scrolling text information may show information on music titles or details of the program being played. This information is provided by the broadcaster.

### Program Type

This is a description of the type of program provided by the broadcaster.

### Multiplex Name

This will show the network that is broadcasting the program you are listening to.

### Time and Date

This displays the time and date information provided by the broadcaster.

### Channel and Frequency

This displays the channel number and the transmission frequency.

### Signal Information

This shows the digital bit rate and the mode.

### Signal Strength

This displays the signal strength of a DAB+ station. The LCD screen will show a bar graph indicating the strength of the signal - the more squares, the stronger the signal. The open square indicates the minimum signal strength required for good reception.



## Storing FM DAB+ Stations

There are 20 DAB+/FM Station Presets available on this unit. To store your favourite stations, press and hold the NUMBER Button you wish to set. Hold until preset stored is showed on the display continue until all presets are set.

To set preset 10 , press and hold "0" Button on the remote control.

To Play a preset station :

Press the NUMBER button of the preset you wish to recall. The LCD display will show the selected station and begin to play.

If the Preset number has not been previously assigned to a station, the LCD display would show 'Preset ' Empty.

### Factory Reset

To reset the DAB+ radio, press and hold the MEMORY/CLOCK button for 5 seconds.

"FACTORY RESET" will be displayed on the screen. Then press the PLAY/SCAN button to confirm.

Note: Any previously stored preset stations or settings will be lost.

## Using the FM Radio

### Basic operation

1. Press the STANDBY button to turn on the unit .
2. Press the FUNCTION button on the unit to select FM Mode.
3. Tune to the station you want by pressing the |◀◀/▶▶| buttons. To manually tune to the station you desire press the |◀◀/▶▶| button, the frequency will change by 0.05 increments.
4. To scan automatically to the next available station, press and hold |◀◀/▶▶| button and then press the PLAY/SCAN button.

## Antenna

There is an antenna wire on the back of the unit. Move the wire around to find the best possible reception. For the best DAB+ reception make sure the antenna wire is stretched out and is not interfered with in anyway.

## RDS

Displaying Data Information in FM Mode.

To display data informations repeatedly press the INFO button to select the data information required. The display will show the data information on the bottom line of the LCD display. The following LCD display screens show typical examples of data information shown on the bottom line of each screen:

Program Name	_____	ABC Radi o 4 RDS
Scrolling Text Information	—	he Bank of Austral ia
Program Type	_____	ABC Radi o 4 RDS Current Affai rs
Current Time and Date	—	ABC Radi o 4 RDS 08: 44 03-06-2006
Frequency	_____	ABC Radi o 4 RDS 91. 80 MHz FM

### Scrolling Text Information

Scrolling text information is supplied by the FM station broadcaster. It may show information such as music titles or details of the program. “No Radio Text” will be displayed if the FM station does not broadcast RDS.

### Program Type

This is a description of the type of program provided by the broadcaster. “NO PTY” will be shown if the FM station does not broadcast RDS.

### Time and Date

This displays the time and date and is provided by the broadcaster. “NO CT” will be shown if the FM station does not broadcast RDS.

### Frequency

This displays the transmission frequency of the station playing.

## Using the CD



Please Note: Keep the disc compartment closed when not in use to prevent dirt and dust from entering the unit. Never place more than one disc in the disc compartment at any time.

### Loading and Unloading CDs

1. Press the STANDBY Button to turn on the unit.
2. Press the FUNCTION Button to select CD mode.
3. Open the disc compartment by pressing the OPEN/CLOSE Button.
4. When the disc compartment has opened, remove a disc from its case and place it carefully onto the tray with the label side facing upwards.
5. Press the OPEN/CLOSE Button to close the tray.
6. When the compartment is closed, Press the play button to begin plays.  
The total number of tracks on the CD will appear on the LCD display.

Please Note: Do not insert anything except a compact disc into the compartment. Other objects will damage the unit.



### Playing CDs

1. Press the ►/|| Button to play the CD from the first track.
2. Press the ►/|| Button to pause play of the CD . The || indicator will appear on the display.
3. To stop play, press the ■ Button. If you press play to begin, the CD will play from the start.


### Selecting a Different CD Track

1. Press the |◀◀/▶▶| Buttons to skip forwards or backwards through the tracks on the CD.  
Also you can press NUMBER buttons to input the desired track directly.
2. Press and hold the |◀◀/▶▶| Buttons to fast forward or backward through the current track.  
When the desired part of the track is reached, release the button and playback will resume.

## Play Mode

1. To repeat the current track, press the **PLAY MODE** button .  will be displayed on the LCD screen, and the track will repeat.
2. To repeat the entire disc, press the **PLAY MODE** button twice.  ALL will be displayed.
3. To cancel repeat play, press the **PLAY MODE** button until the repeat indicator disappears.

## Shuffle CD Playback



1. Press the **PLAY MODE** button three times during play.  will be displayed and the tracks will be played at random.
2. To cancel shuffle play, press the **PLAY MODE** button until the shuffle indicator disappears.

## Playing MP3 and WMA CDs

This unit is compatible to play MP3/WMA files. When playing a CD encoded with MP3 or WMA files, the functions available and operations are similar to those of a standard CD.

## Unit Memory

Up to 64 tracks can be programmed to the internal memory in any order. You can also store the same track more than once.

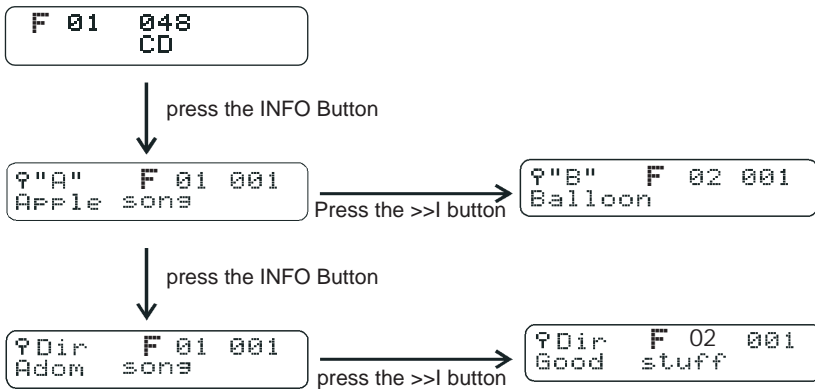
1. Whilst play a track you wish to share, Press the **MEMORY/CLOCK** button and P-01 will be displayed.
2. Select the desired track or folder by pressing the  buttons.
3. When the desired track is selected, press the **MEMORY/CLOCK** button to store the track P-02 will be displayed.
4. Repeat Steps 2 and 3 to select and store up to 64 tracks.
5. To listen to stored tracks, press the **PLAY/PAUSE** button. Use the  buttons to skip through the tracks.
6. To clear the memory, press the **STOP** button twice.

## Searching MP3/WMA Tracks

While listening to the MP3/WMA track, repeatedly press the INFO button to select the desired track.

1. Press the INFO Button to display the names of the song with initial letter "A".
2. Press the **◀◀** or **▶▶** Button to select the desired initial letter.
3. Press the INFO Button repeatedly to select the desired folder.
4. When the desired folder is displayed on the screen, press and hold for 3 seconds to confirm the selection.
5. Press the **◀◀** or **▶▶** Button to select the track you want to listen to.
6. To play the selected track, press PLAY/SCAN button.

## Searching MP3/WMA Tracks



Press the PLAY/SCAN Button to confirm the selection.

## Using the Clock ,Timer and Sleep Function

### Setting the Clock

**Please Note:**This unit has its own digital clock when in standby mode. The clock displayed will be synchronised by the DAB+ signal when the unit is in DAB+ mode.

#### To Adjust The Clock (in STANDBY mode)

1. Press and hold the **MEMORY/CLOCK** button for a few seconds and select either 24-hour or 12-hour mode by using the **◀◀/▶▶** buttons.
2. Press the **MEMORY/CLOCK** button to confirm.
3. The hour digits will begin to flash. Adjust the hours by pressing the **◀◀/▶▶** buttons.
4. Press the **MEMORY/CLOCK** button again, and the minute digits will begin to flash.
5. Adjust the minutes by pressing the **◀◀/▶▶** buttons. Press the **MEMORY/CLOCK** button to confirm.
6. The unit's clock is synchronised when the unit is ON and in DAB+ mode.

### Setting the Sleep Function

**Please Note:**You need to use the remote control for this function.

The Sleep Timer is a countdown timer for switching the system to Standby mode after a specified time. The Sleep Timer can be set from 10 to 90 minutes.

1. Press the **SLEEP** button to set the sleep time. SLEEP icon is displayed. The system will now play for 90 minutes or will play until your set time.
2. To decrease the sleep time, continually press the **SLEEP** button until the desired sleep time is displayed.
3. To cancel the sleep timer, press the **SLEEP** button repeatedly until the sleep icon disappears.
4. To switch off the system before the sleep time has elapsed, press the **STANDBY** button.

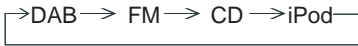
**Please Note**Pressing the **SLEEP** button at any time will display the time remaining before the unit turns off.

## Setting the Timer

**Please Note:** You need to use the remote control for this function.

The Timer is used to switch the system ON and OFF at a specified time. It enables you to listen to the DAB/FM radio, CD or iPod device for a set amount of time.

1. In **STANDBY** mode press and hold the **TIMER** button. ON TIME will be displayed and the hour digits will begin to flash. Adjust the hour by pressing the **⏪/⏩** buttons.
2. Press the **TIMER** button to confirm and the minute digits will begin to flash. Adjust the minutes by pressing the **⏪/⏩** buttons.
3. Press the **TIMER** button to confirm and OFF TIME will be displayed. Follow the same procedure as in Steps 1 and 2 to set the OFF time. Then press the **TIMER** button to confirm.
4. The function mode will follow the cycle below:



Select the desired source by pressing the **⏪/⏩** buttons and pressing the **TIMER** button to confirm.

5. The volume level will be displayed. Select the level required by pressing the **⏪/⏩** buttons and pressing the **TIMER** button to confirm

Please note: Once a **TIMER** is set completely, all the settings will be re-presented for one time for your viewing.

Please note: You can turn OFF the Timer by pressing Timer button until Timer icon disappears.

## Other functions

### ESP(for CD only)

Electronic Shock Protection

Press the INFO/ESP/DISPLAY button to activate/deactivate this function.

This feature helps to eliminate any break in the playback of the disc due to errors or imperfections.

### Mute

1. Press the **MUTE** button on the remote control to turn off the sound. MUTE will flash on the display.
2. Press the **MUTE** button again to restore the sound to the previous level.

### Preset Equaliser

You choose from: CLASSIC, ROCK, POP, JAZZ, and FLAT. Press the EQ button to navigate through the settings and press enter to select.

### Bass

Press the BASS button on the remote control to turn the bass boost ON/OFF.

### Resetting

If you experience any abnormal operation when using the Micro System, follow the procedure below to perform a system reset:

1. Remove the Mains Power lead from the wall socket.
2. Leave the unit disconnected from the power supply for 1 minute, then reconnect the power on the unit.

**Please Note:**The clock time will be lost if the power supply is disconnected.You will have to reset the time.

### ID3 Tag (Title/Artist/Album) Function

This Grundig product can support Version 1 and 2 of ID3 tag. ID3 is information supplied by MP3, WMA or CD files.

ID3 tag information (Title/Artist/Album) can be displayed when playing an MP3 or WMA CD automatically.

### Aux In Device

For music playback from an Auxiliary Device.

1. Press the **FUNCTION** button repeatedly to select AUX mode.
2. Connect your device to the **AUX IN** socket on the front of the unit.
3. Control your device as per the CD instructions for audio playback.

## Playing your iPod

Using the iPod dock you can play music from the iPod through the unit's speakers and operate with the remote control or the front panel. The unit comes with four removable dock adapters to ensure the proper fit for your iPod and to help reduce stress on the connector when operating the iPod.





## Docking an iPod

Before docking your iPod, you must first select the correct adaptor, then fit it into the iPod dock. There are 4 adaptors supplied, each has an adaptor number printed on the side. Refer to the compatibility table below and select the correct dock adapter for your iPod. Once you have located the correct adaptor for your iPod, press it gently into the iPod dock before attempting to connect your iPod.

iPod Description	Capacity	Universal Dock Adapter Number:			
		10	14	16	17
5th iPod (iPod video)	60GB, 80GB, iPod classic 160GB	x			
1st iPod touch	8GB, 16GB		x		
2nd iPod touch	8GB, 16/32GB			x	
4th iPod nano	8GB, 16GB				x

Please Note : If you connect an iPod without fitting the correct adaptor, you may damage the iPod and your Music System.

Basic operation:

1. To select iPod operation, press the FUNCTION button repeatedly to go to iPod mode.
2. To skip backward or forward to other tracks, press the  or  buttons repeatedly.
3. To fast search through tracks, press and hold the  or  buttons.
4. MENU and ENTER buttons will allow you to enter the menu options and confirm/select.
5. To scroll through the menu, press UP/DN on remote control.

Charging your iPod

Your iPod will be charging at all times when it is docked to the system. Both in standby and operation mode.

# Trouble Shooting and Technical Specifications

Problem	Possible cause	What to do
<b>DAB+</b>		
Not functioning correctly	Microprocessor malfunction	Refer to reset procedure
Garbled sound	Poor signal	Move aerial wire
<b>Radio</b>		
Noise or sound distorted on FM	Station not tuned properly for FM The FM antenna wire is not extended	Fine-tune FM broadcast station Extend FM wire antenna
No sound in FM mode	Unit not in radio mode Volume is at the minimum position	Press the function button to select radio mode Adjust the volume level
<b>CD/MP3 Player</b>		
CD Player will not play	Unit not in CD mode CD is not installed correctly	Select CD mode check that it is inserted correctly
CD skips while playing	Disc is dirty or scratched	Wipe the disc with a cloth or use another disc
MP3 disc not playing correctly	Poor quality data, wrong type of file i e. aac, flac, ogg, m4a	Try making a new copy. Check the file type is .MP3 or .WMA
Title/Artist/Album (ID3 Tag) not working correctly	Data not correct on the CD	Re-record the disc, or try another.
MP3 on computer has correct ID3 info, but unit does not display it	Version of ID3 not supported	Get ID3 data in ID3 Version 1
<b>Aux In</b>		
Sound is quiet	Volume too low on connected device	Increase the volume on connected device

Power Supply (Input)	100 - 240V ac ~ 50/60Hz
Power Output	2 x 10W RMS
Radio Frequency Coverage	FM 87.5-108 MHz, DAB 174.928 - 239.200MHz
Power consumption	50W
Dimension unit	W150mm X D225mm X H230mm
Dimension speaker	W142mm X D160mm X H230mm
Remote control	2 X 1.5 Volt AAA batteries

**IMPORTANT!** This manual contains for-reference-only graphics and information that are subject to change without prior notice.

# Warranty

Please keep your receipt as proof of purchase. This product is warranted for any defect in materials or workmanship for one year after the original date of purchase. This product is for normal domestic and office use only. This warranty does not cover damage from misuse or neglect, accidental damage, vermin infestation, excessive voltages such as lightning or power surges or any alteration that affects the performance or reliability of the product.

In the unlikely event that your product fails to work normally, please contact Grundig Warranty on 1800 509 394 (Australia) or 0800 450 259 (New Zealand) and have your receipt of purchase on hand.

This warranty is subject to the following provisions:

- It is only valid within boundaries of the country of purchase
- The product must be correctly assembled and operated in accordance with the instructions contained in this manual
- This product must be used solely for domestic purposes
- The warranty does not cover accidental damage
- The warranty will be rendered invalid if the product is resold or has been damaged by inexperienced repair
- The manufacturer disclaims any liability for incidental or consequential damage.

**This warranty is in addition to, and does not diminish, your statutory or legal rights.**

PO BOX 6287  
Silverwater NSW 1811  
[www.grundig.net.au](http://www.grundig.net.au)

**Grundig Warranty: 1800 509 394 Australia**  
**Grundig Warranty: 0800 450 259 New Zealand**

(Remark: print below info onto bottom right hand corner of rear cover page)

PO BOX 6287  
Silverwater NSW 1811  
[www.grundig.net.au](http://www.grundig.net.au)