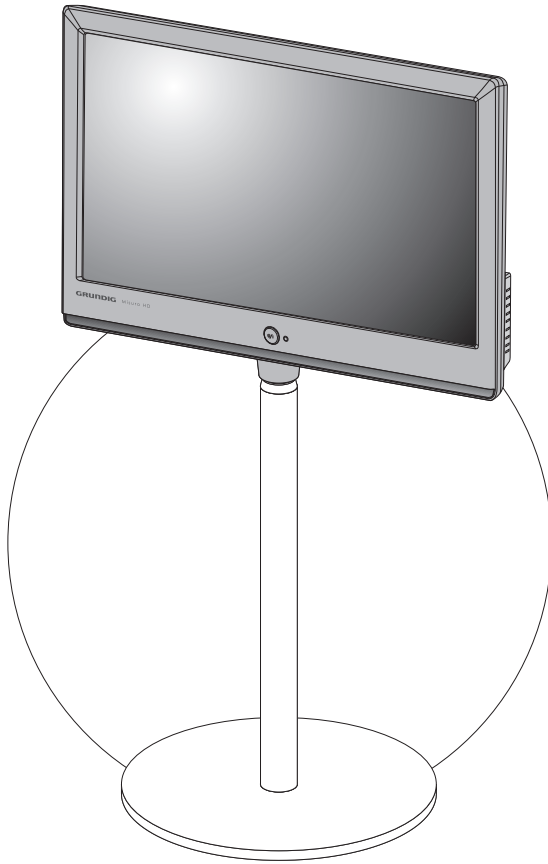


TV STAND SYSTEM



The Gold Technical Support Line: 1902 215 259
Personal Product Support
(Charges will apply at \$2.95 per minute)

GST3206

GRUNDIG

Introduction

Thank you for buying this Grundig product, which is designed to give you many years of trouble-free service.

You may already be familiar with using a similar unit, but please take time to read these instructions. They are designed to familiarise you with the unit's many features and to ensure you get the very best from your purchase.

Safety is important

Your safety and the safety of others is important.

Please therefore, ensure you read the "Safety Instructions" before you operate this unit.

In the unlikely event that your product fails to work normally, visit the Grundig website for further information.

www.grundig.net.au

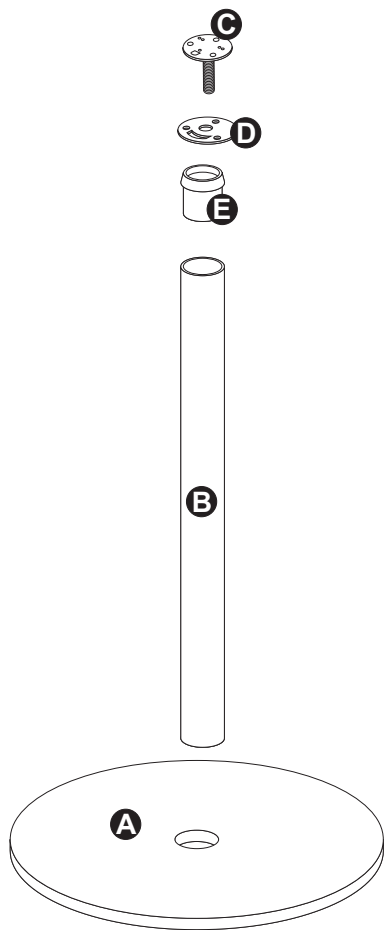
Grundig Australia
PO Box 6287
Silverwater NSW 1811
Australia

Safety Instructions





- Always read the safety instructions carefully.
- Keep this User's Manual for future reference.
- Only use the materials supplied for assembly.
- Tighten all screws tight by hand.
- We suggest that you place this stand in front of a wall.
- Place this stand on a reliable flat surface.
- Do not stand it on soft furnishings.
- Do not angle the stand with a mounted TV past 4 degrees.
If the stand is overbalanced, it is likely that both the stand and TV will fall to the ground resulting in damage to both units.
- Do not push the stand with a TV mounted upon it.
- Keep children away from the stand to avoid injury to children or damage to the TV and stand.
- If any of the following situations arise, have the equipment checked by a service Technician:
 - The equipment has been exposed to moisture.
 - The equipment has been dropped and damaged.
 - The equipment has obvious sign of breakage.
 - The equipment has not been working well or you cannot install it according to the User's Manual.

Warning:

- This product is designed to support the Grundig Misuro and Misuro HD 32" LCD TV's.
- There are many small components used in the construction of this unit. These should be kept away from young children during assembly.



PARTS CHECK-LIST

Code	Description		Qty
18A08	Allen Head Bolt		4PCS
21E09	Nut		1PC
06F06	Washer		1PC
17A03	Cross Head Bolt		5PCS

SUPPLIED TOOLS



Allen Key and
Cross Screw Driver

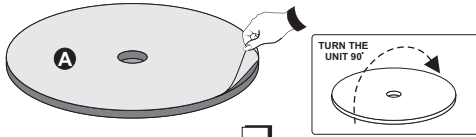


Spanner

GUIDE TO ASSEMBLY

1

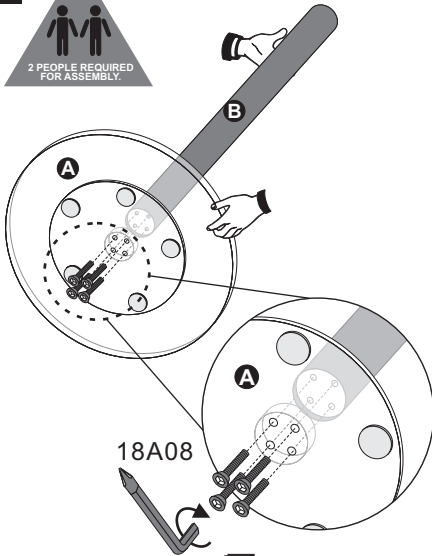
Warning:
Please peel off the protective transparent foil from the panel before start assembly.



2

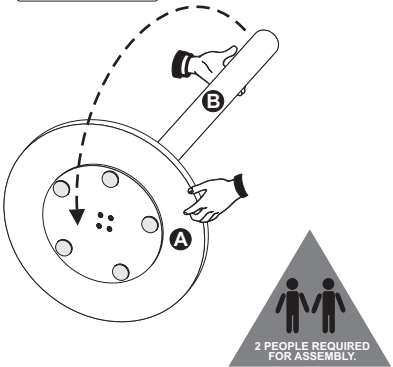


18A08  X 4



3

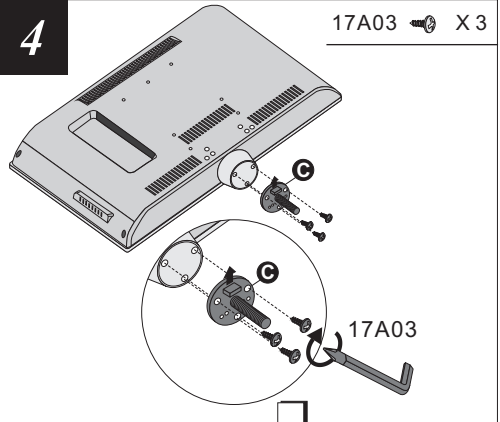
TURN THE UNIT 90°



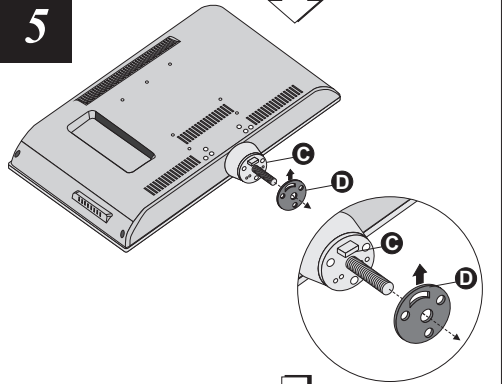
Move to stage
4 Next Column.

4

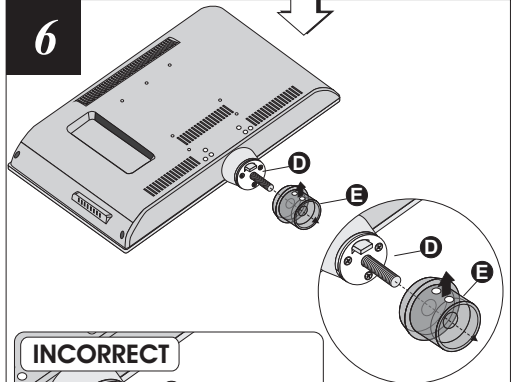
17A03  X 3



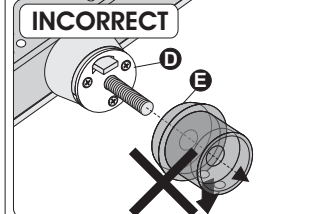
5



6



INCORRECT

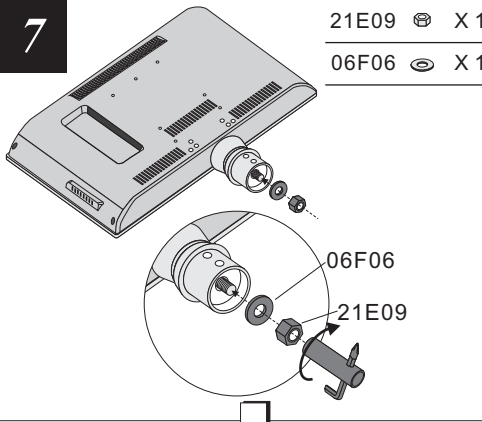


Move to stage
7 Next Column.

7

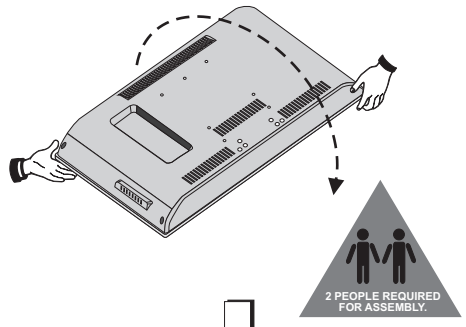
21E09  X 1

06F06  X 1

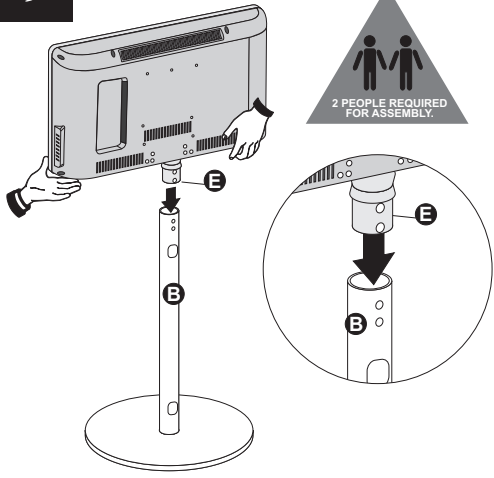


8

TURN THE UNIT 90°



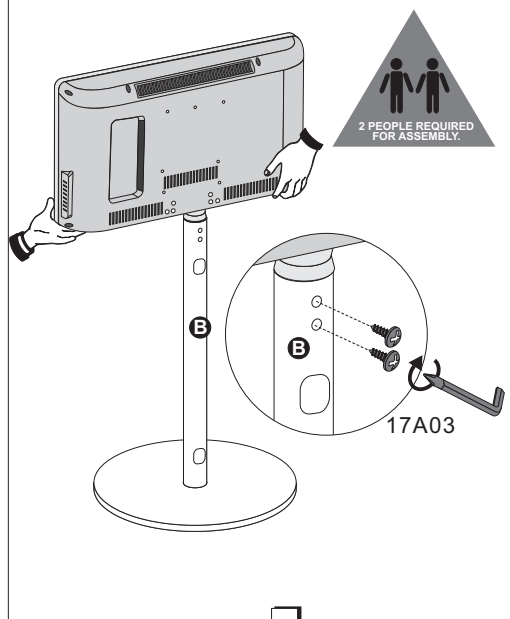
9



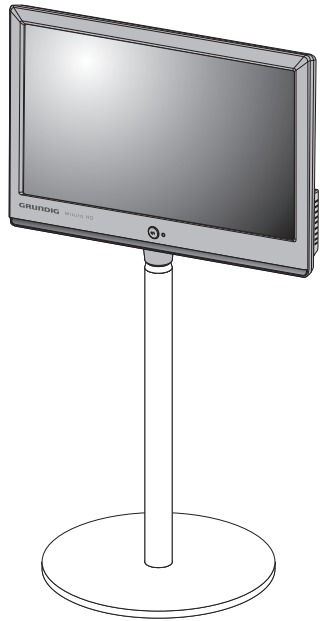
Move to stage 10 Next Column.

10

17A03  X 2



11



Completed

www.grundig.net.au

Grundig Australia
PO Box 6287
Silverwater NSW 1811
Australia